

### Features

- 4 Riverjets and 8 hydromassage jets can be individually adjusted for water flow and direction.
- Two variable-speed pumps for adjusting massage intensity.
- Chromatherapy lighting allows you to select a preferred color scheme to suit your mood.
- Built-in heater.
- Lighted keypad control.
- Floating remote control.
- Integral fill with factory-installed faucet valves.
- Spacious design accommodates multiple bathers.
- Jet trim kit (required); sold separately.
- Four pillows provide extra comfort.

### Material

- Acrylic.

### Hydrotherapy

- RiverBath Whirlpool.
- Chromatherapy.

### Installation

- Drop-in.

### Required Products/Accessories

- K-9398 Whirlpool Trim Kit
- K-T9540-4 Transfer Valve Trim

### Recommended Products/Accessories

- K-7167 2" adjustable pop-up drain
- K-23726 Drain treatment
- K-23732 Tub & shower cleaner



### Codes/Standards




ASME A112.19.7/CSA B45.10  
CSA B45.5/IAPMO Z124  
ASTM E162  
ASTM E662  
UL 1795  
CSA C22.2 No. 218.2

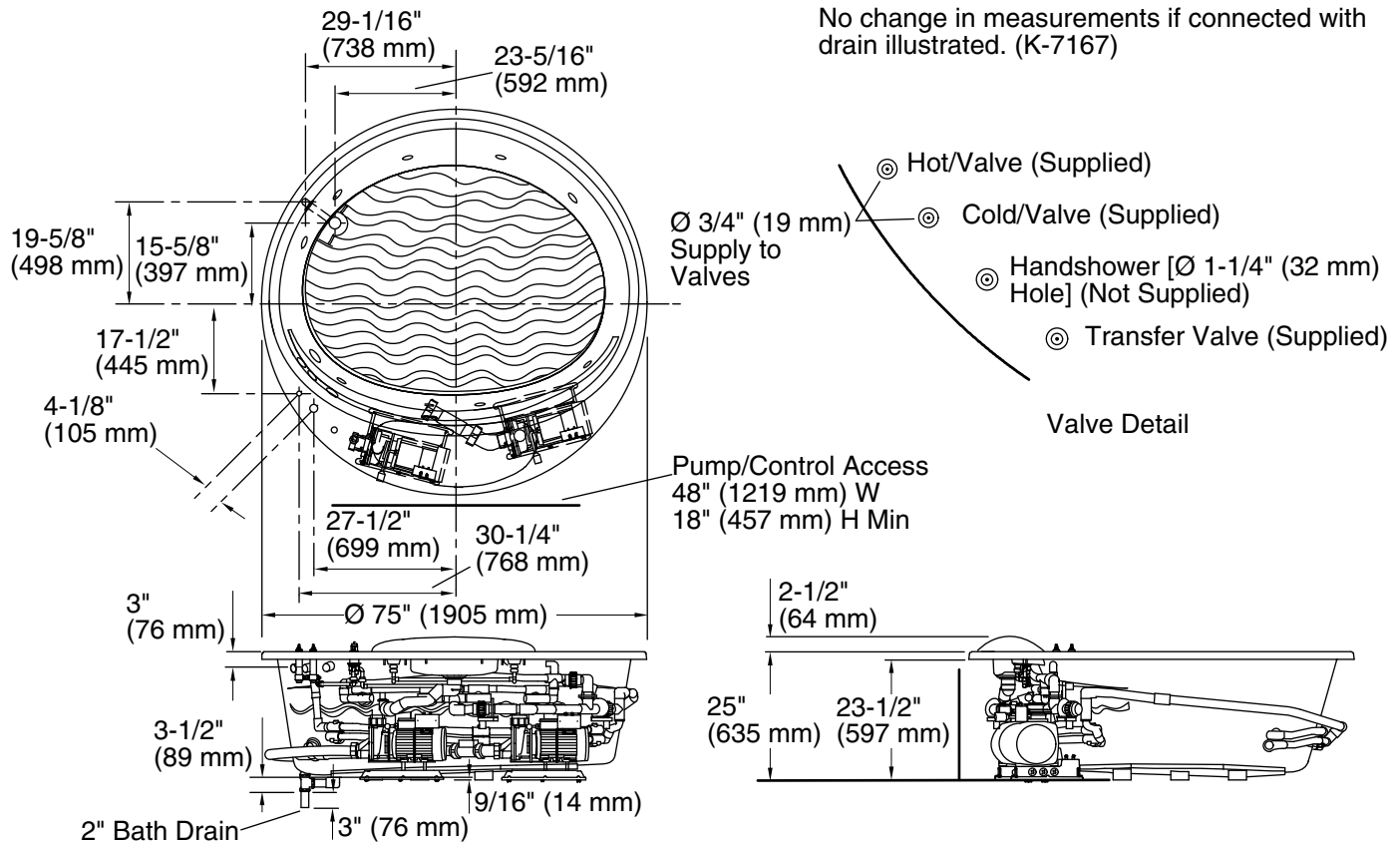
**KOHLER® Plastic Baths and  
Receptors Lifetime Limited  
Warranty KOHLER® Hydrotherapy  
Components Five-Year Limited  
Warranty**

See website for detailed warranty information.

### Available Colors/Finishes

*Color tiles intended for reference only.*

Color	Code	Description
	0	White
	96	Biscuit
	7	Black Black™



### Required Electrical Service

Two dedicated circuits required, protected with Class A Ground-Fault Circuit-Interrupter (GFCI). Outside North America, this device may be known as a Residual Current Device (RCD).

Pump, Pump: 240 V, 20 A, 50/60 Hz  
Heater: 240 V, 20 A, 50/60 Hz

### Technical Information

All product dimensions are nominal.

Installation: Drop-in  
Drain location: Center  
Basin area, bottom: 64" x 46" (1626 mm x 1168 mm)  
Basin area, top: 68" x 58" (1727 mm x 1473 mm)  
Weight: 290 lbs (131.5 kg)  
Minimum floor load: 54 lbs/ft<sup>2</sup> (263.7 kg/m<sup>2</sup>)  
Water depth: 20" (508 mm)  
Water capacity: 215 gal (813.9 L)  
Template: Drop-in, 1000554-7, required, included  
Drop-in, 1000555-7, required, included  
1000556-7, not required, included  
1000557-7, not required, included

Electrical component Pump: 240 V, 9 A, 50/60 Hz  
rating: Pump: 240 V, 9 A, 50/60 Hz

### Notes

Measure your actual product for rough-in details.

Install this product according to the installation instructions.

The hot water supply should be 70% of the capacity of the bath or greater. Installations will vary.

Consult local and national codes for minimum air gap requirements when installing a spout on the faucet deck other than that supplied.